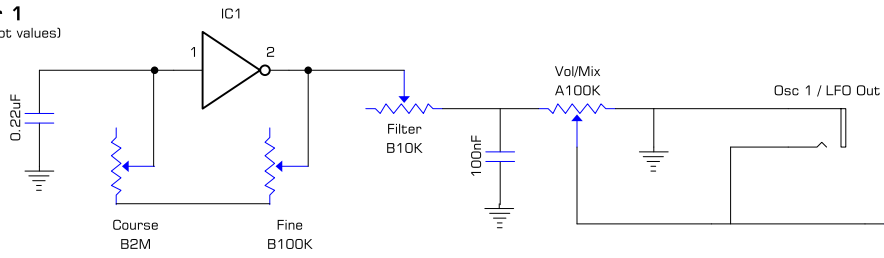
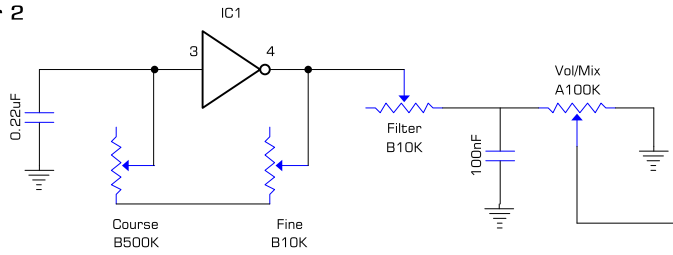


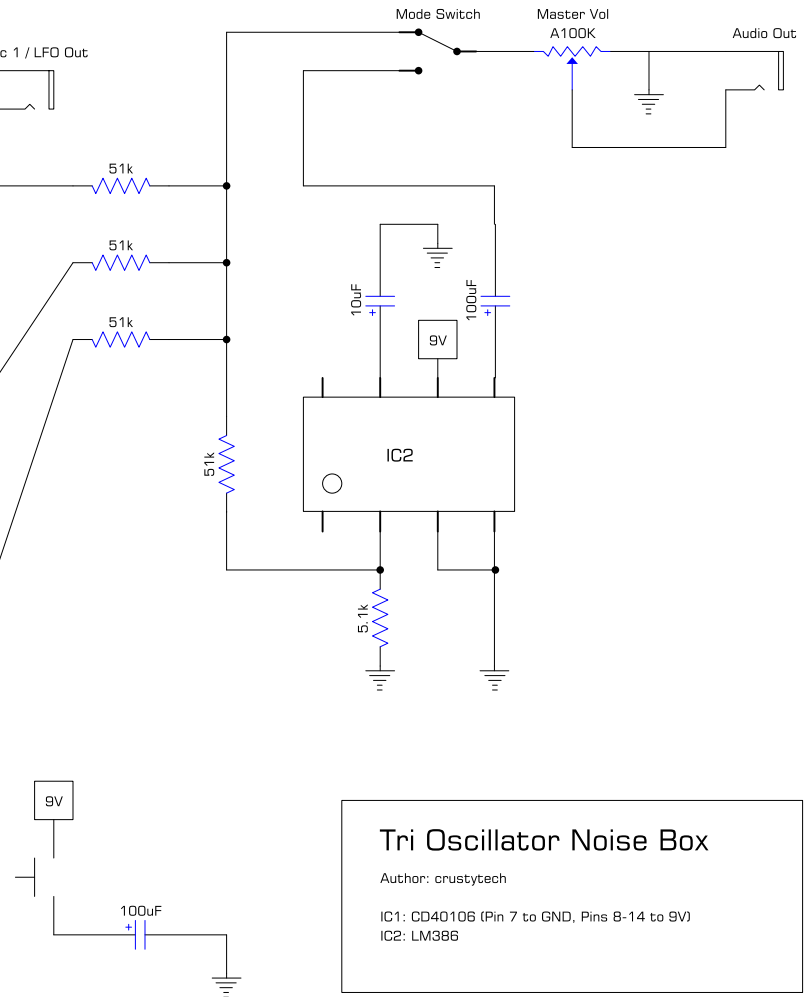
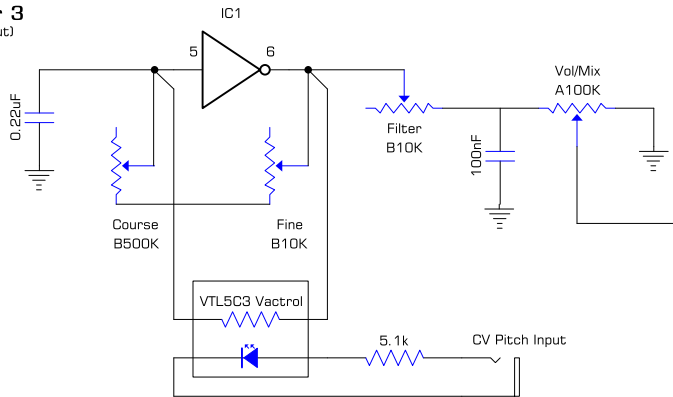
Oscillator 1
(Note higher pot values)



Oscillator 2



Oscillator 3
(Note CV Input)



Tri Oscillator Noise Box

Author: crustytech

IC1: CD40106 (Pin 7 to GND, Pins 8-14 to 9V)
IC2: LM386