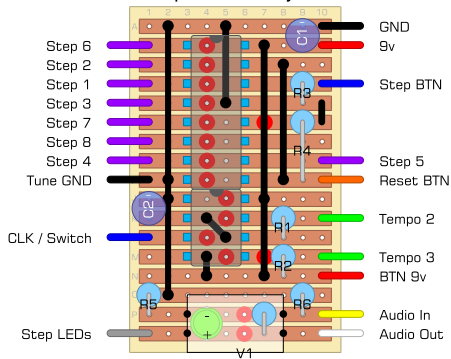
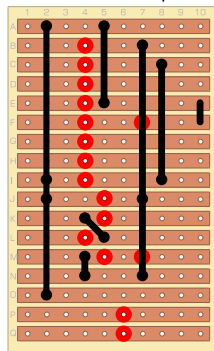


## Stripboard Layout



## Cuts & Jumpers



10 x 17

### Gated 8-Step Sequencer

Author: crustytech

IC1: CD4017

IC2: NE555

C1-2: 10uF

R1-6: 1K

V1: VTL5C3 Vactrol